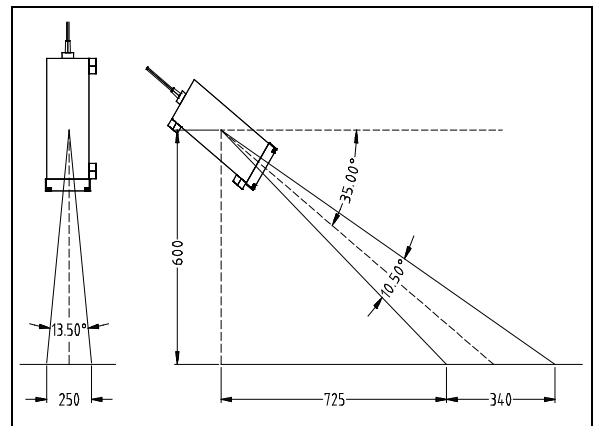
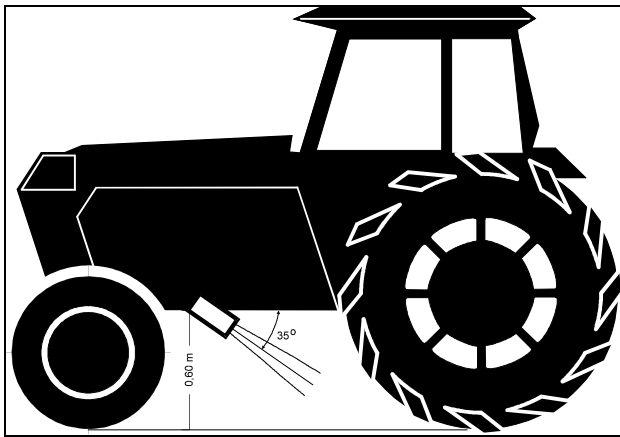


## Installation Radarsensor Typ : VANSCO

### Installation :

Fix the radarsensor in a height of 60cm and an angle of approximate 35° at the tractor.



### Note :

Before opening the tractor distributor, switch the system to voltage free.

